



Walk-In Coolers & Freezers

Membrane Roof Cap **(Attaching to building)**

Carroll Coolers Inc.
19705 Hwy. 30 W.
Carroll, IA 51401
800-764-6834
Fax 712-792-6748
E-Mail: sales@carrollcoolers.com

Membrane Roof cap Installation Instructions (Attaching to building)

Step 1: Check the roof top of the walk-in and remove any foreign matter. Recess the lag bolts and seal all protruding rough edges with caulk. This will prevent any chance of penetrating or wearing a hole in the membrane roof cap.

Step 2: Verify the overall length & width of the membrane roof cap. The membrane should be long enough to overlap 6" on three sides of the walk-in and when unrolled a 8-12" reverse piece will appear. This side is to be aligned along the building wall.

Step 3: The smooth (shiny) finish surface of the white or gray membrane is the exposed side. If tan material is used the rough side is exposed. The 3" fastening tabs are on the bottom side of the membrane.

Step 4: Start at the end attaching to the building. Attach the first 3" fastening tab to the base of the building wall where it meets the walk-in. This needs to be far enough up the wall that the entire 3" tab is on the building. Start in the middle of the walk-in and attach this using 1-1/2" screws and the Duro-Last poly plates provided every 12" on center. After the first tab is secured the 8"-12" reverse piece can be fastened to the building using the termination bar and the 1-1/2" screws fastened 6" on center also starting in the center. When this is completed a bead of sealant should be applied above the termination bar at the connection to the building.

Step 5: Continue over the rest of the unit, fasten the 3" tabs by using the 1-1/2" self tapping screws and fastening plates. Always starting in the center and working to the edges placing the screws and plates 12" on center along the fastening tabs. Always pull the slack out of the membrane before starting another row of fasteners. Vice grips are ideal for this process.

Step 6: On completion of the fastening tabs on the roof cap, tuck and fold corners as shown in illustration and install termination trim around the perimeter of the walk in unit, approximately 3-4" down the sides of the walk-in. They can either be butted at corners or be bent around them. Use the 1-1/2" screws spaced at least every 6" on center. Shooting them on a slight downward angle. Then use a razor blade knife to trim the excess rubber below the termination bars AFTER the entire roof is completed.

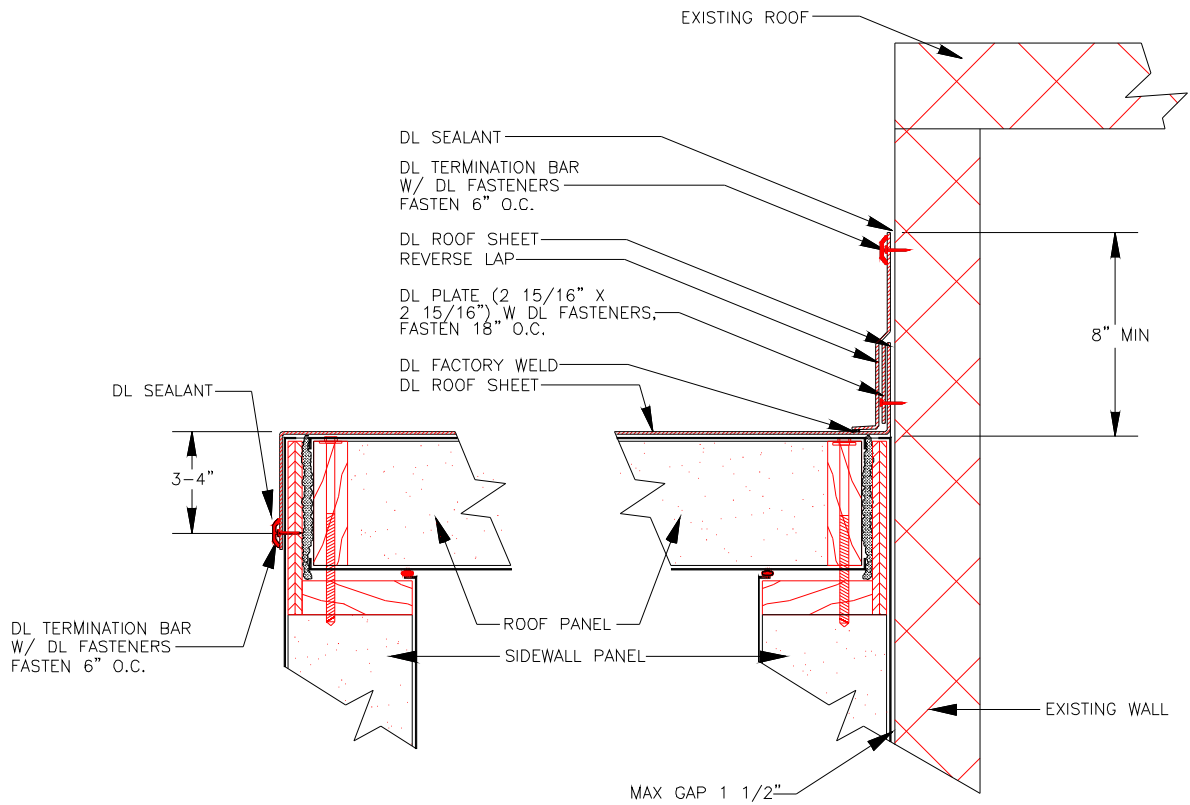


Walk-In Coolers & Freezers

Membrane Roof Cap (Attaching to building)

Carroll Coolers Inc.
19705 Hwy. 30 W.
Carroll, IA 51401
800-764-6834
Fax 712-792-6748
E-Mail: sales@carrollcoolers.com

Outdoor Membrane Roof



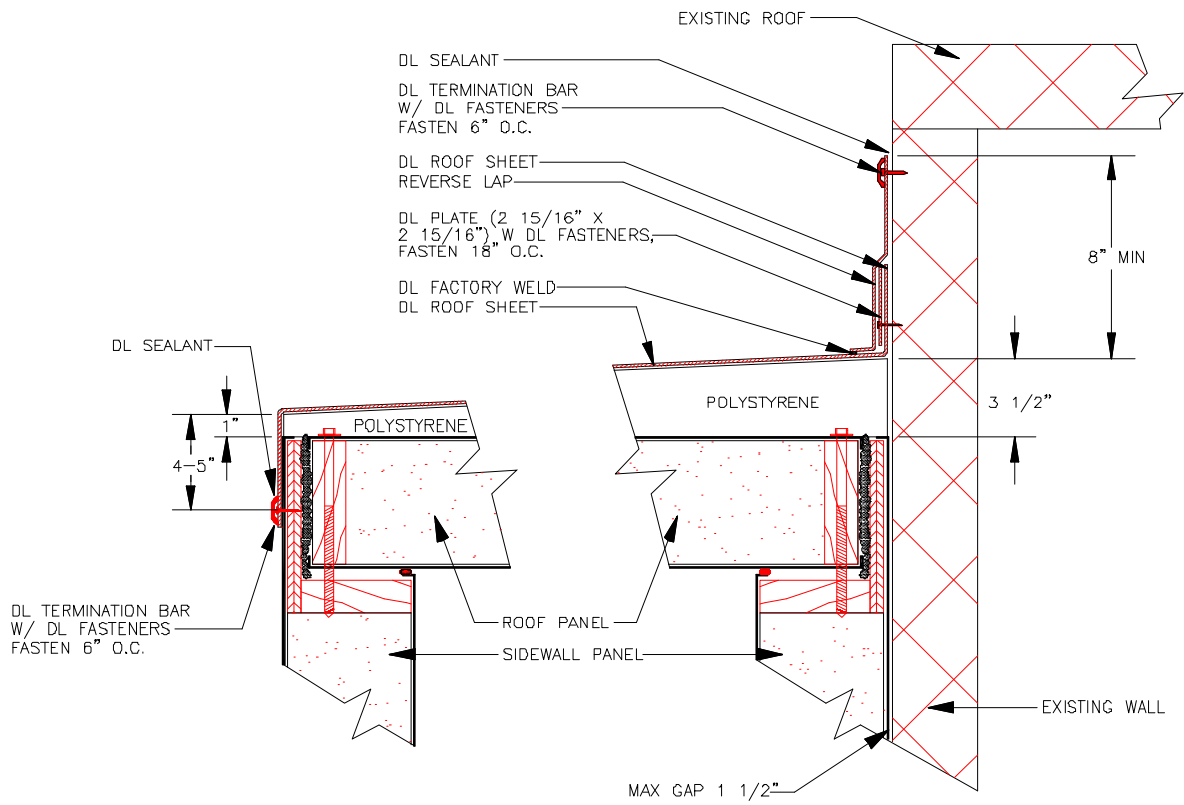


Walk-In Coolers & Freezers

**Membrane Roof Cap
(Attaching to building)**

Carroll Coolers Inc.
19705 Hwy. 30 W.
Carroll, IA 51401
800-764-6834
Fax 712-792-6748
E-Mail: sales@carrollcoolers.com

Outdoor Membrane Roof with Sloped Roof



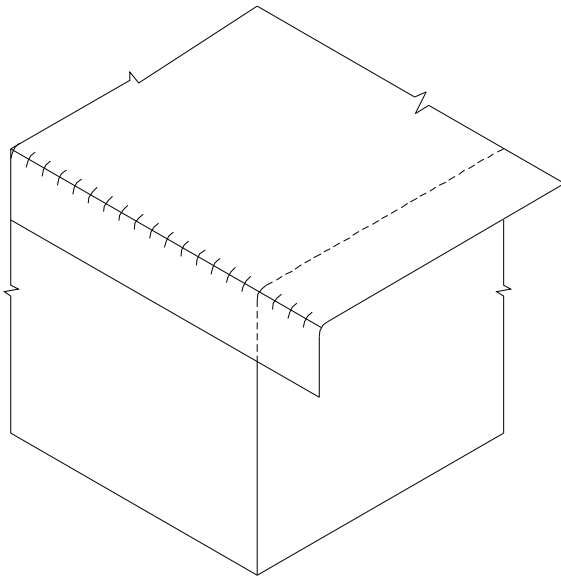


Walk-In Coolers & Freezers

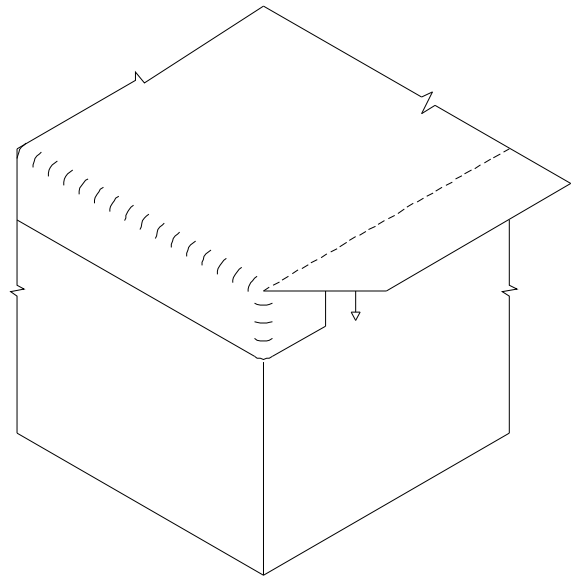
Membrane Roof Cap
(Attaching to building)

Carroll Coolers Inc.
19705 Hwy. 30 W.
Carroll, IA 51401
800-764-6834
Fax 712-792-6748
E-Mail: sales@carrollcoolers.com

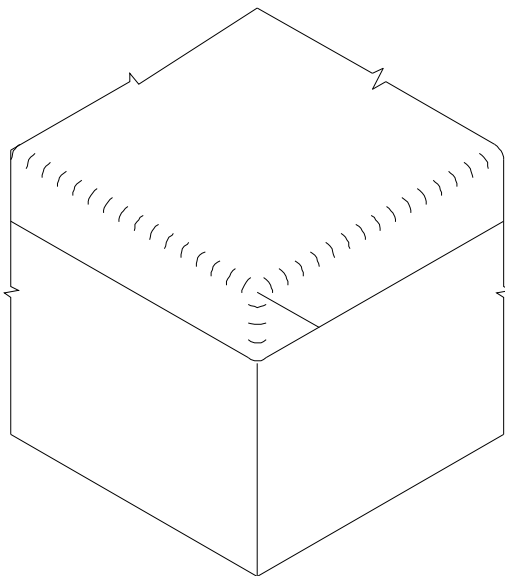
Outdoor Membrane Roof
Corner Fold Detail



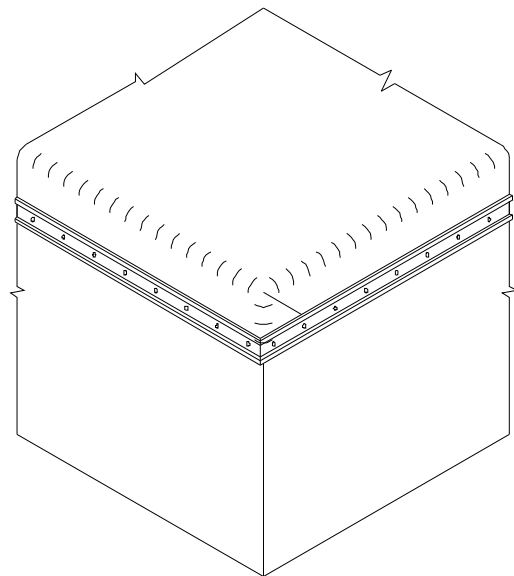
Step 1



Step 2



Step 3



Step 4